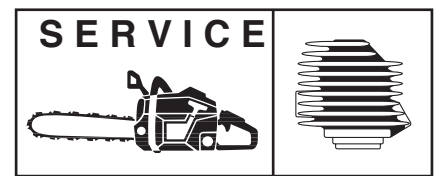


# ***PARTNER***



IPL, SB210 E, 961810002, 2006-11, Snow Thrower

# **SB210 E**

**Spare parts**

**Ersatzteile**

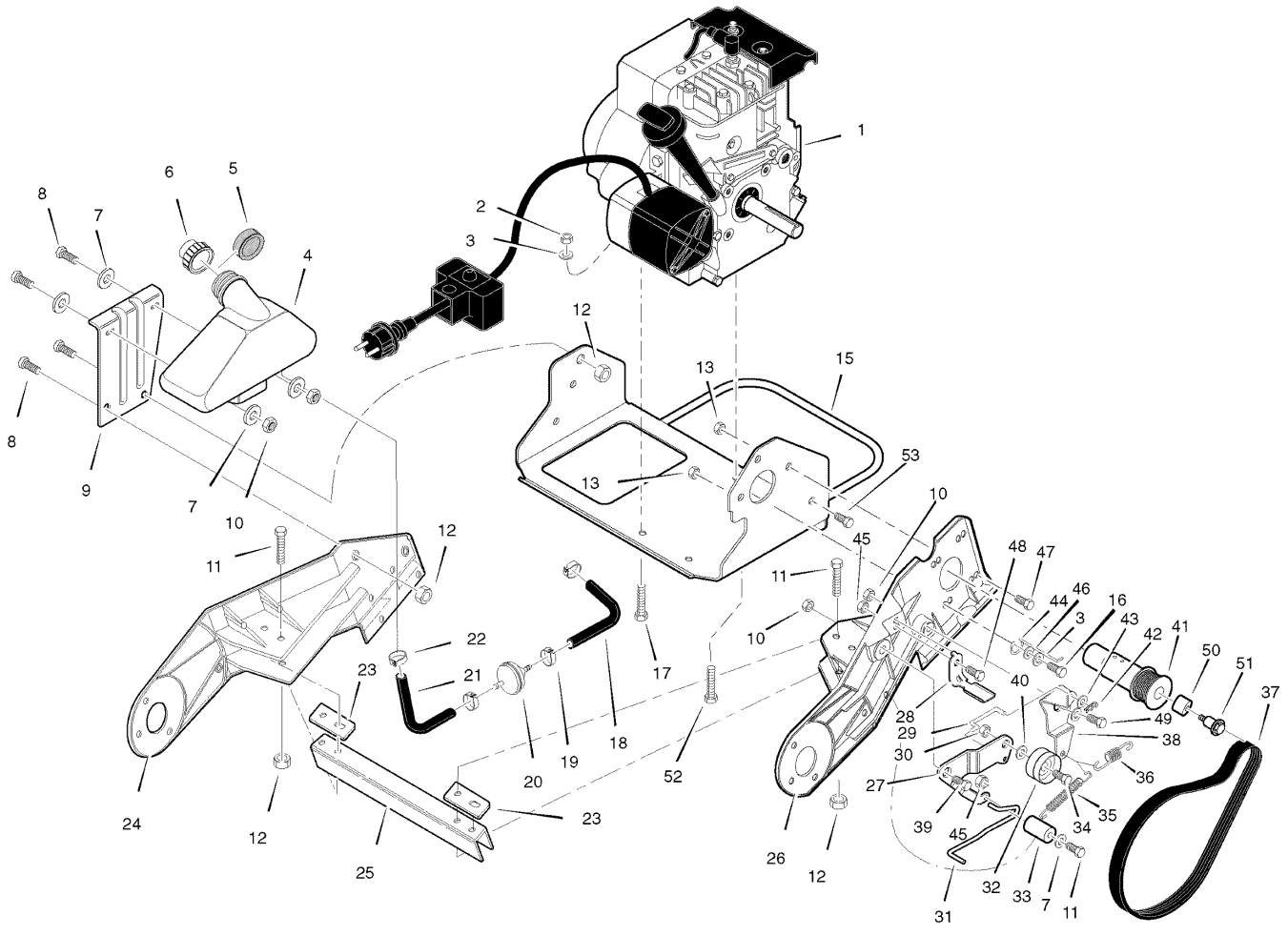
**Pièces détachées**

**Reserve onderdelen**

**Repuestos**

**Reservdelar**

**CHASSIS, ENGINE & PULLEYS (SB210 E, 961810002)**

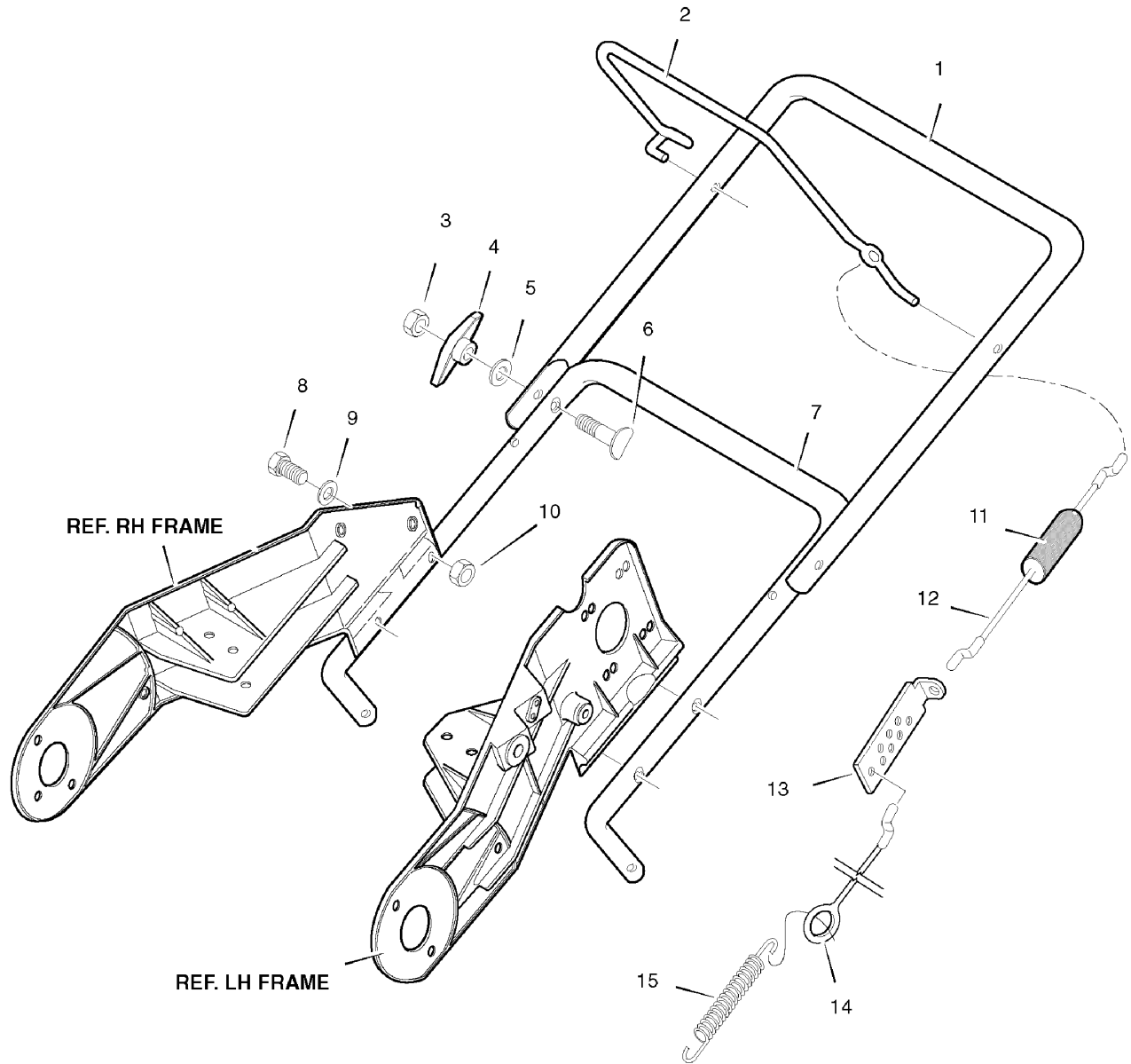


**CHASSIS, ENGINE & PULLEYS (SB210 E, 961810002)**

| REF NO | PART NO.                                | DESCRIPTION                     | REF NO | PART NO.     | DESCRIPTION          |
|--------|---|---------------------------------|--------|--------------|----------------------|
| 1      | Order Parts From<br>Engine Manufacturer | Engine                          | 47     | 501 03 38-01 | Screw                |
| 2      | 501 03 83-01                            | Nut                             | 48     | 501 03 71-01 | Screw                |
| 3      | 501 03 83-01                            | Washer, split lock              | 49     | 501 02 81-01 | Screw                |
| 4      | 501 03 10-01                            | Tank Fuel                       | 50     | 501 02 54-01 | Spacer, drive pulley |
| 5      | 501 03 99-01                            | Ring, foam fuel tank            | 51     | 501 02 43-01 | Bolt, Engine pulley  |
| 6      | 501 02 32-01                            | Cap, fuel                       | 52     | 501 02 62-01 | Bolt, Engine pulley  |
| 7      | 501 03 86-01                            | Washer                          | 53     | 501 02 78-01 | Screw                |
| 8      | 501 03 86-01                            | Screw                           |        |              |                      |
| 9      | 501 03 11-01                            | Bracket                         |        |              |                      |
| 10     | 501 02 66-01                            | Nut                             |        |              |                      |
| 11     | 501 02 58-01                            | Screw                           |        |              |                      |
| 12     | 501 03 82-01                            | Nut                             |        |              |                      |
| 13     | 501 03 95-01                            | Nut                             |        |              |                      |
| 15     | 501 02 34-01                            | Cradle, weldment                |        |              |                      |
| 16     | 501 02 59-01                            | Bolt                            |        |              |                      |
| 17     | 501 02 22-01                            | Bolt                            |        |              |                      |
| 18     | 501 03 24-01                            | Tubeing, fuel line 6"           |        |              |                      |
| 19     | 501 03 03-01                            | Clamp, fuel line                |        |              |                      |
| 20     | 501 02 33-01                            | Filter Fuel line                |        |              |                      |
| 21     | 501 03 02-01                            | Tubing, fuel line 8"            |        |              |                      |
| 22     | 501 03 36-01                            | Clamp Hose Screw                |        |              |                      |
| 23     | 501 03 22-01                            | Plate bolting support           |        |              |                      |
| 24     | 501 02 40-01                            | Frame Rh. Side<br>steel support |        |              |                      |
| 25     | 501 03 17-01                            | Channel, frame support          |        |              |                      |
| 26     | 501 02 41-01                            | Frame Lh. Side<br>steel support |        |              |                      |
| 27     | 501 02 99-01                            | Lf arm, idler bracket           |        |              |                      |
| 28     | 501 03 16-01                            | Lf pad, brake                   |        |              |                      |
| 29     | 501 02 86-01                            | Rod, clutch linkage             |        |              |                      |
| 30     | 501 03 78-01                            | Nut                             |        |              |                      |
| 31     | 501 02 26-01                            | Wire clutch                     |        |              |                      |
| 32     | 501 03 39-01                            | Pulley                          |        |              |                      |
| 33     | 501 02 27-01                            | Roller, pinch                   |        |              |                      |
| 34     | 501 02 72-01                            | Screw                           |        |              |                      |
| 35     | 501 02 92-01                            | Spring extension                |        |              |                      |
| 36     | 501 02 91-01                            | Spring extension                |        |              |                      |
| 37     | 501 03 32-01                            | Belt                            |        |              |                      |
| 38     | 501 02 88-01                            | Arm, idler pivot                |        |              |                      |
| 39     | 501 03 09-01                            | Bolt                            |        |              |                      |
| 40     | 501 02 70-01                            | Washer                          |        |              |                      |
| 41     | 501 02 44-01                            | Pulley, engine                  |        |              |                      |
| 42     | 501 02 23-01                            | Pin,cotter                      |        |              |                      |
| 43     | 501 03 34-01                            | Washer                          |        |              |                      |
| 44     | 501 03 18-01                            | Guide Belt                      |        |              |                      |
| 45     | 501 03 97-01                            | Nut                             |        |              |                      |
| 46     | 501 03 87-01                            | Washer                          |        |              |                      |

**HANDLE & CONTROLS (SB210 E, 961810002)**

---



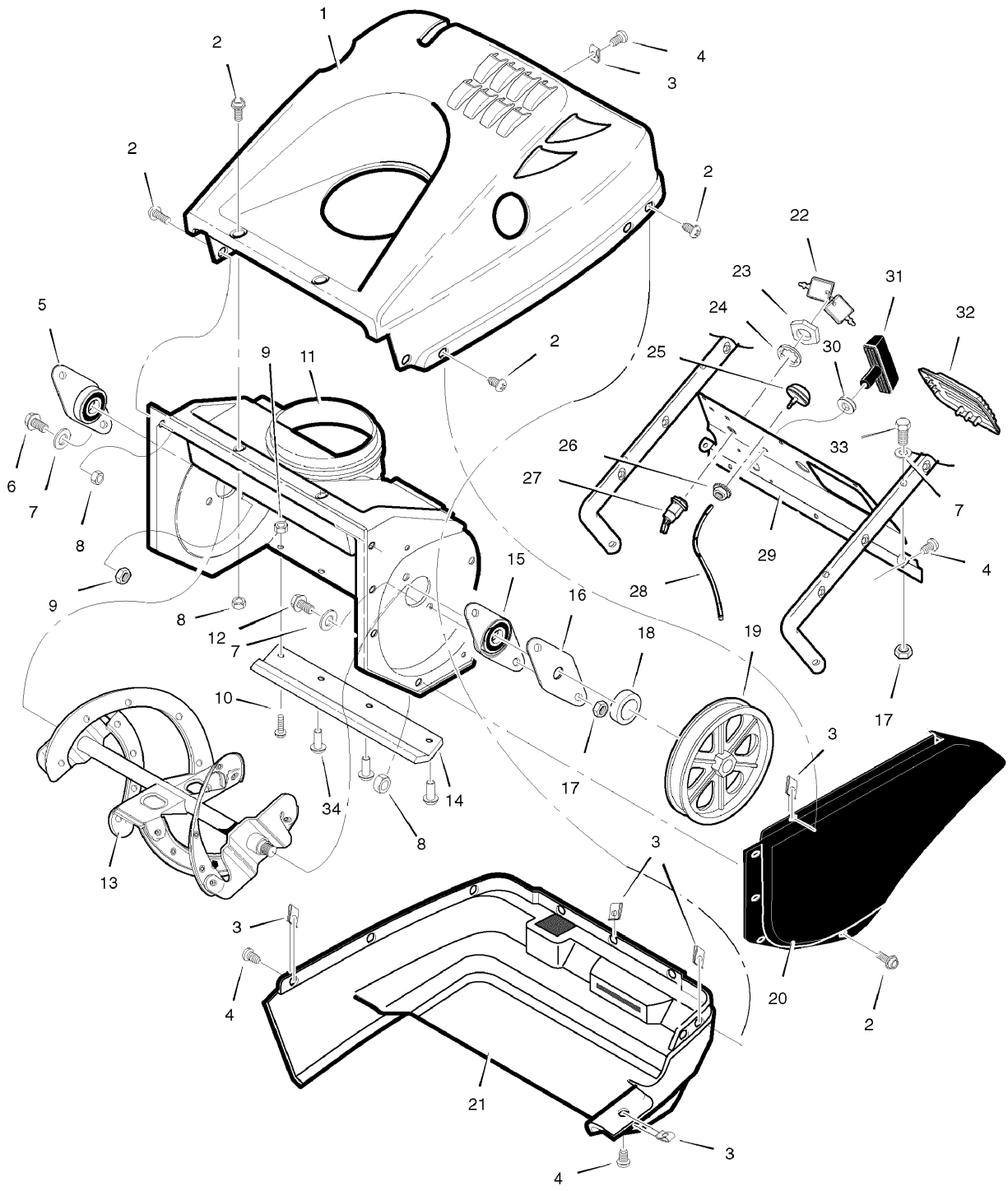
**HANDLE & CONTROLS (SB210 E, 961810002)**

---

| <b>REF NO</b> | <b>PART NO.</b> | <b>DESCRIPTION</b>    |
|---------------|-----------------|-----------------------|
| 1             | 501 03 14-01    | Handle, Upper         |
| 2             | 501 02 84-01    | Bail, control         |
| 3             | 501 03 83-01    | Nut                   |
| 4             | 501 03 58-01    | T-knob plastic        |
| 5             | 501 02 82-01    | Washer                |
| 6             | 501 03 25-01    | Bolt                  |
| 7             | 501 03 13-01    | Handle, Lower         |
| 8             | 501 02 93-01    | Screw                 |
| 9             | 501 03 86-01    | Washer                |
| 10            | 501 03 97-01    | Nut                   |
| 11            | 501 02 76-01    | Boot, Clutch spring   |
| 12            | 501 02 90-01    | Cable, upper control  |
| 13            | 501 02 87-01    | Bracket, cable adjust |
| 14            | 501 02 89-01    | Cable lower control   |
| 15            | 501 02 74-01    | Spring extension      |

---

**AUGER HOUSING & IMPELLER (SB210 E, 961810002)**

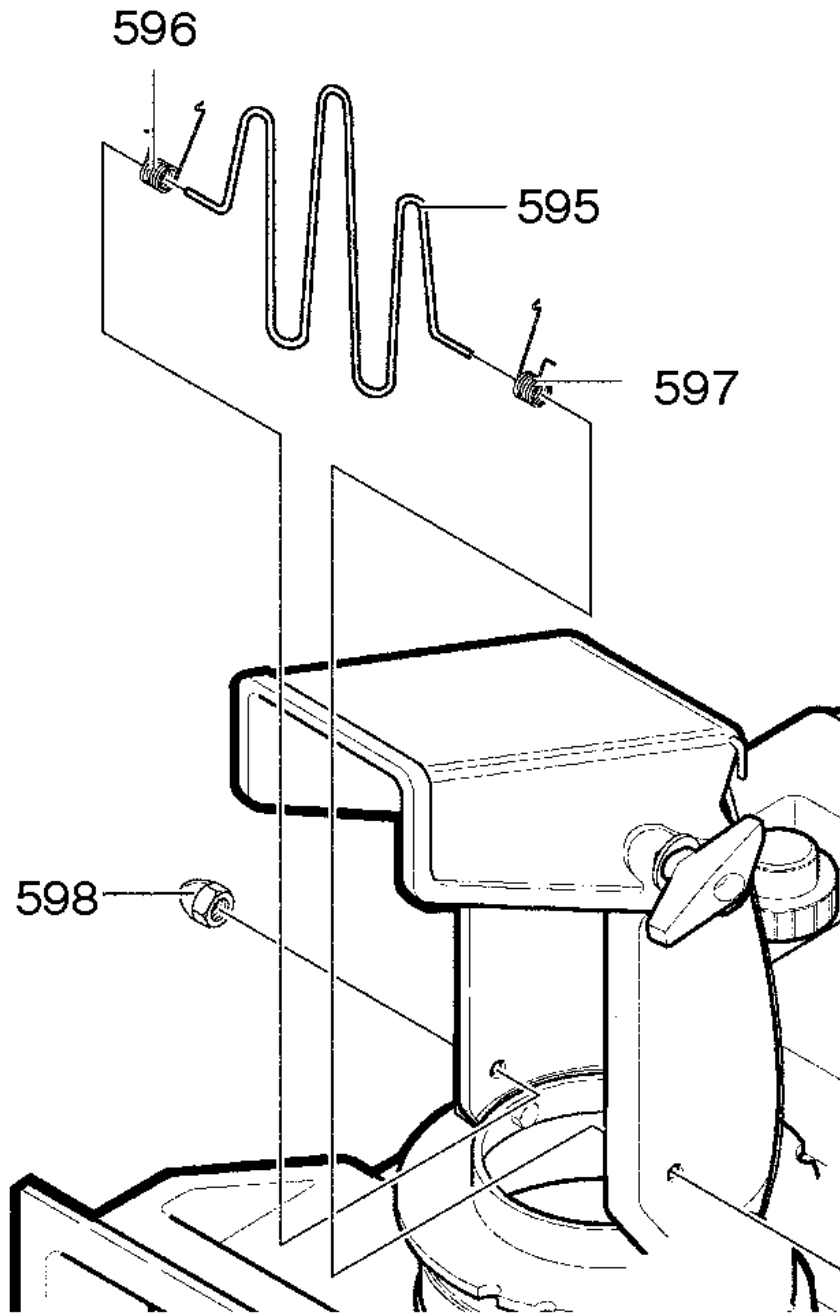


## **AUGER HOUSING & IMPELLER (SB210 E, 961810002)**

---

| <b>REF NO</b> | <b>PART NO.</b> | <b>DESCRIPTION</b>              |
|---------------|-----------------|---------------------------------|
| 1             | 501 02 56-01    | Cover top                       |
| 2             | 501 02 24-01    | Screw                           |
| 3             | 501 03 68-01    | Nut                             |
| 4             | 501 02 96-01    | Screw                           |
| 5             | 501 03 61-01    | Flange bearing                  |
| 6             | 501 03 81-01    | Screw                           |
| 7             | 501 03 86-01    | Washer                          |
| 8             | 501 02 83-01    | Nut                             |
| 9             | 501 02 52-01    | Nut                             |
| 10            | 501 02 71-01    | Screw                           |
| 11            | 501 03 29-01    | Auger Housing assembly          |
| 12            | 501 03 71-01    | Screw                           |
| 13            | 501 03 05-01    | Auger Housing assembly complete |
| 14            | 501 03 55-01    | Balde scraper                   |
| 15            | 501 03 76-01    | Sf bearing & plate assembly     |
| 16            | 501 03 20-01    | Lt plate, retainer bearing      |
| 17            | 501 03 97-01    | Nut                             |
| 18            | 501 03 67-01    | Spacer sleeve                   |
| 19            | 501 03 08-01    | Pulley                          |
| 20            | 501 03 28-01    | Cover belt                      |
| 21            | 501 02 28-01    | Cover bottom                    |
| 22            | 501 03 52-01    | 2 keys & ring assembly          |
| 23            | 501 02 69-01    | Nut                             |
| 24            | 501 02 95-01    | Washer                          |
| 25            | 501 02 30-01    | Bulb, primer                    |
| 26            | 501 02 67-01    | Nut                             |
| 27            | 501 03 56-01    | Switch ignition                 |
| 28            | 501 03 23-01    | Hose primer 9.5"                |
| 29            | 501 02 29-01    | Panel, control                  |
| 30            | 501 03 59-01    | Grommet & washer                |
| 31            | 501 02 50-01    | Grip, recoil start              |
| 32            | 501 02 42-01    | Panel, access spark plug        |
| 33            | 501 02 93-01    | Screw                           |
| 34            | 501 03 63-01    | Rivet, offset                   |

---





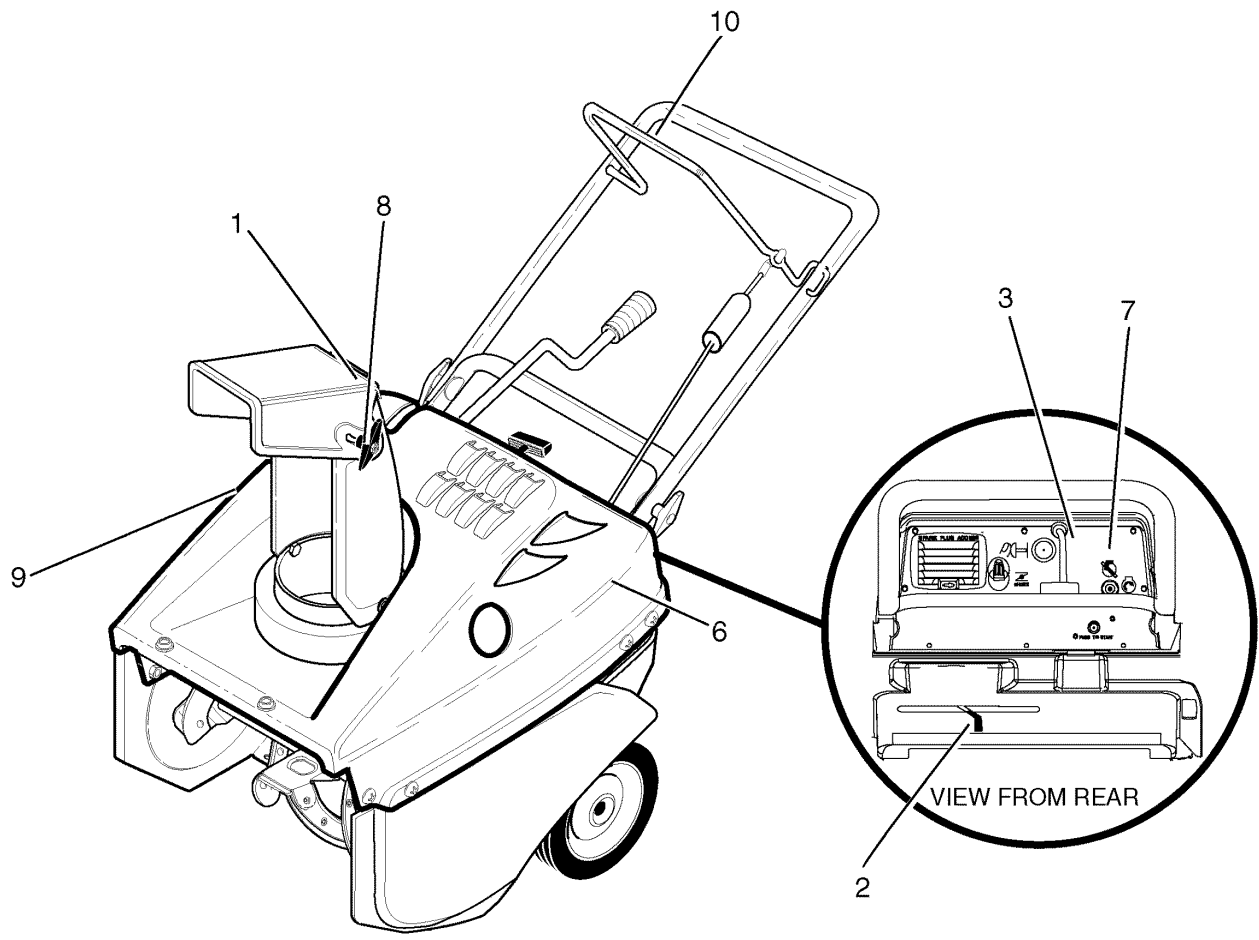
**GUARDS (SB210 E, 961810002)**

---

| <b>REF NO</b> | <b>PART NO.</b> | <b>DESCRIPTION</b> |
|---------------|-----------------|--------------------|
| 595           | 501 02 80-01    | Guard, Wire Chute  |
| 596           | 501 03 53-01    | Spring Torsion     |
| 597           | 501 03 54-01    | Spring, Torsion    |
| 598           | 501 03 51-01    | Nut                |

**DECALS (SB210 E, 961810002)**

---



**DECALS (SB210 E, 961810002)**

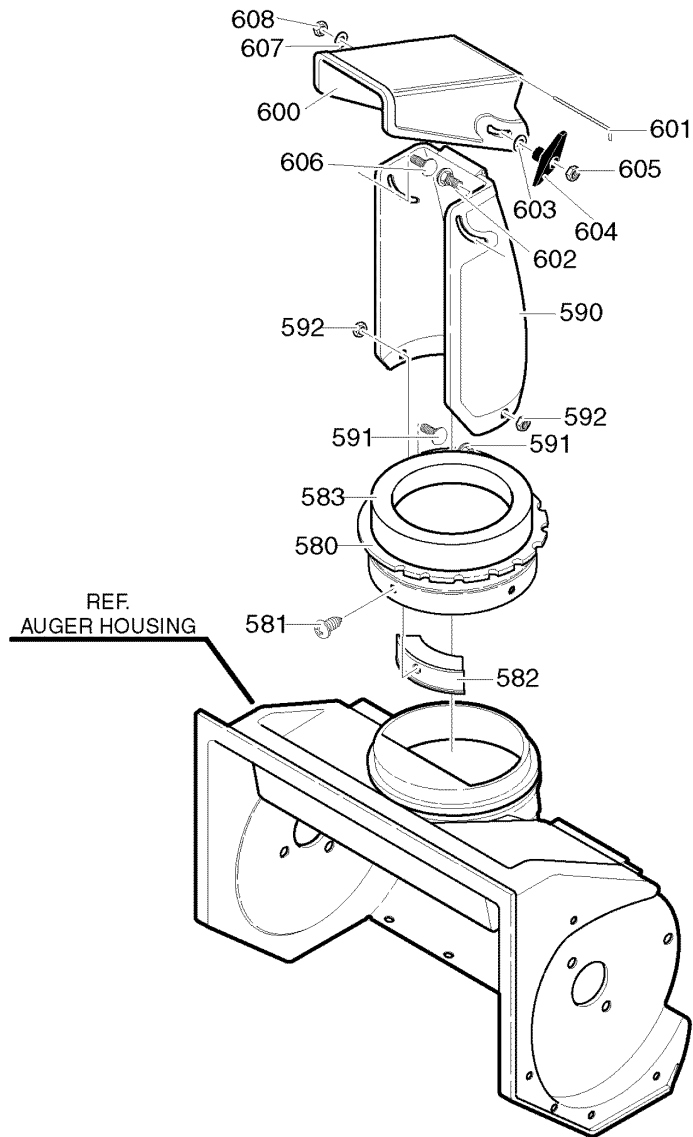
---

| <b>REF NO</b> | <b>PART NO.</b> | <b>DESCRIPTION</b>    |
|---------------|-----------------|-----------------------|
| 1             | 501 03 41-01    | Decal, EPA 5HP        |
| 2             | 501 03 43-01    | Decal, Electric start |
| 3             | 501 03 42-01    | Decal, Dash           |
| 4             | 501 02 55-01    | Decal, Partner 5.0/21 |
| 6             | 501 03 50-01    | Decal, Muffler hot    |
| 7             | 501 03 43-01    | Decal, Electric start |
| 8             | 501 03 46-01    | Decal, Danger Chute   |
| 9             | 501 03 47-01    | Decal, Danger Auger   |
| 10            | 501 03 49-01    | Decal, Auger Control  |



**DISCHARGE CHUTE (SB210 E, 961810002)**

---



**DISCHARGE CHUTES (SB210 E, 961810002)**

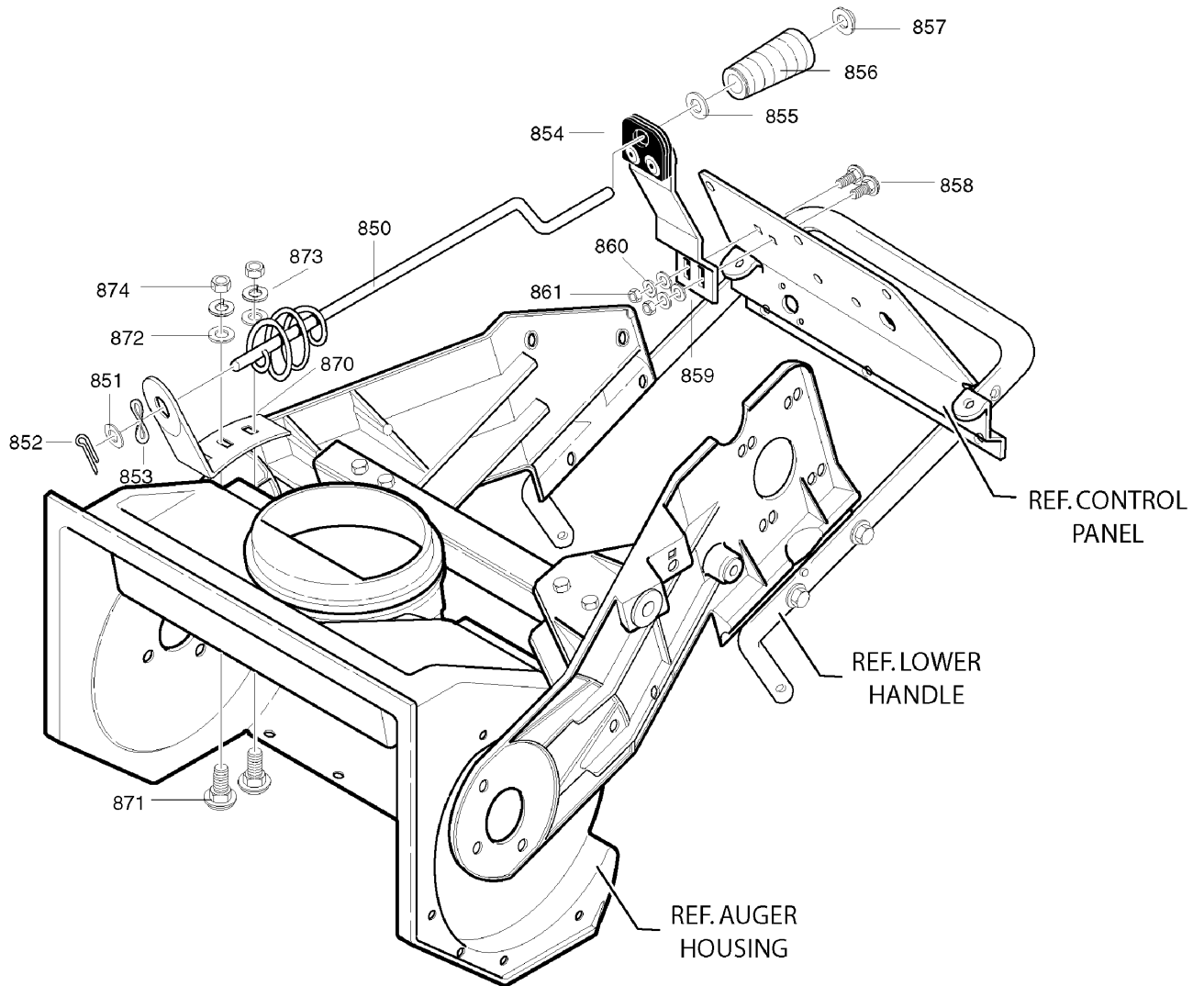
---

| <b>REF NO</b> | <b>PART NO.</b> | <b>DESCRIPTION</b>    |
|---------------|-----------------|-----------------------|
| 580           | 501 03 12-01    | Ring, chute           |
| 581           | 501 03 92-01    | Screw                 |
| 582           | 501 03 60-01    | Guide chute           |
| 583           | 501 03 98-01    | Donut foam            |
| 590           | 501 02 75-01    | Chute deflector lower |
| 591           | 501 02 71-01    | Screw                 |
| 592           | 501 02 52-01    | Nut                   |
| 600           | 501 02 74-01    | Chute deflector upper |
| 601           | 501 02 79-01    | Wire Chute hing       |
| 602           | 501 02 73-01    | Bolt                  |
| 603           | 501 03 87-01    | Washer                |
| 604           | 501 03 58-01    | Knob                  |
| 605           | 501 03 83-01    | Nut                   |
| 606           | 501 03 66-01    | Screw                 |
| 607           | 501 03 87-01    | Washer                |
| 608           | 501 03 95-01    | Nut                   |

---

**CONTROLS (SB210 E, 961810002)**

---



**CONTROLS (SB210 E, 961810002)**

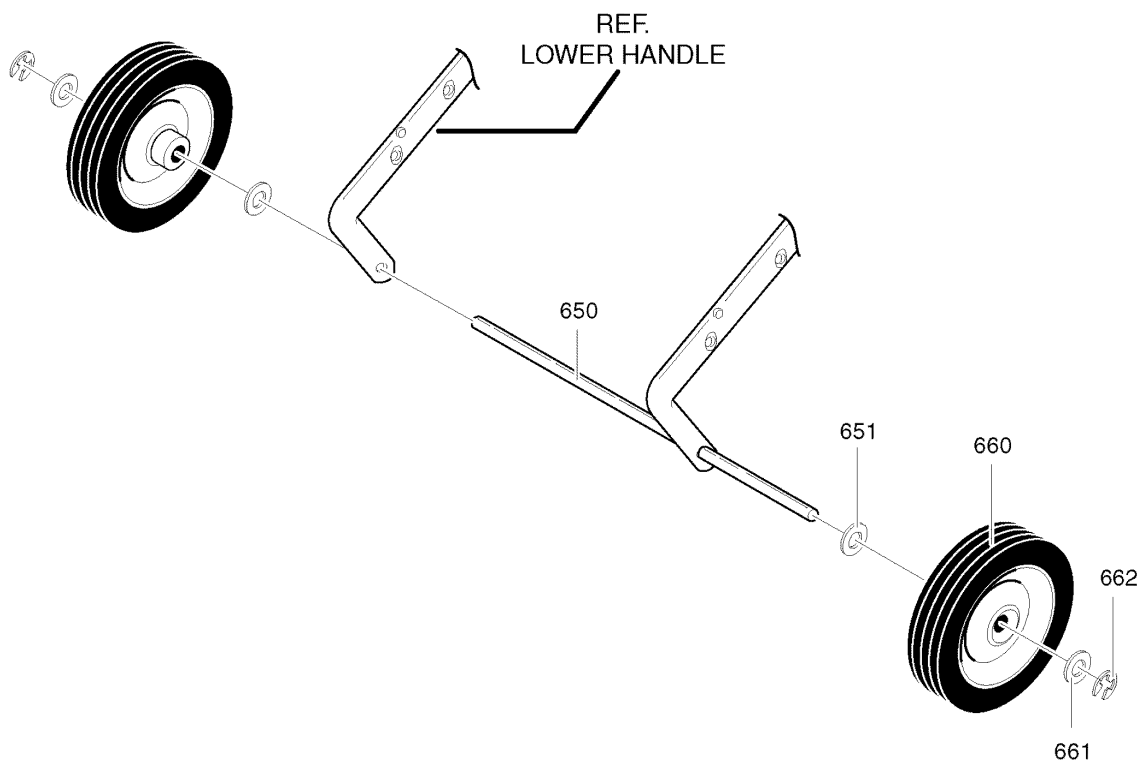
---

| <b>REF NO</b> | <b>PART NO.</b> | <b>DESCRIPTION</b>   |
|---------------|-----------------|----------------------|
| 850           | 501 03 26-01    | Rod Chute            |
| 851           | 501 03 88-01    | Washer               |
| 852           | 501 03 89-01    | Pin Cotter           |
| 853           | 501 02 85-01    | Washer Curved        |
| 854           | 501 03 21-01    | Assy Chute crank     |
| 855           | 501 03 88-01    | Washer               |
| 856           | 501 03 57-01    | Knob sleeve          |
| 857           | 501 03 06-01    | Nut                  |
| 858           | 501 03 30-01    | Bolt                 |
| 859           | 501 03 87-01    | Washer               |
| 860           | 501 03 85-01    | Washer               |
| 861           | 501 03 82-01    | Nut                  |
| 870           | 501 03 15-01    | Bracket Chute rotate |
| 871           | 501 03 31-01    | Bolt                 |
| 872           | 501 03 87-01    | Washer               |
| 873           | 501 03 85-01    | Washer               |
| 874           | 501 03 83-01    | Nut                  |

---

**WHEELS (SB210 E, 961810002)**

---





**WHEELS (SB210 E, 961810002)**

---

| <b>REF NO</b> | <b>PART NO.</b> | <b>DESCRIPTION</b> |
|---------------|-----------------|--------------------|
| 650           | 501 02 94-01    | Axle Shaft         |
| 651           | 501 03 75-01    | Washer             |
| 660           | 501 02 57-01    | Tire & Rim         |
| 661           | 501 03 75-01    | Washer             |
| 662           | 501 03 62-01    | Ring retainer      |

